

Contact Force Gage

SERIES 546

FEATURES

- Measures small forces applied to the end of its measuring lever in units of newtons (N).
- Contact Force Gages are widely used to determine the measuring force applied by an instrument to a workpiece, as well as contact forces of electrical relays, micro-switches, valves and precision springs.
- Convenient peak-hold type gages are also available.



SPECIFICATIONS

Standard		
Minimum reading	Order No.	Range
2mN	546-112	6mN - 50mN
5mN	546-113	10mN - 100mN
10mN	546-114	30mN - 300mN
0.02N	546-115	0.06N - 0.5N
0.05N	546-116	0.1N - 1N
0.05N	546-117	0.15N - 1.5N
0.1N	546-118	0.3N - 3N
0.2N	546-119	0.6N - 5N

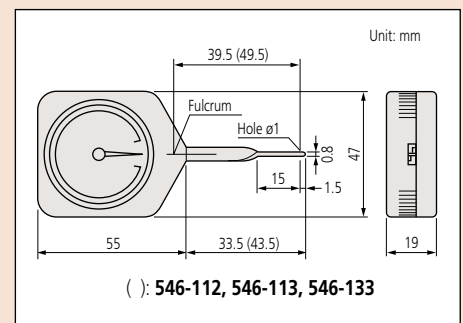
Peak hold		
Graduation	Order No.	Range
5mN	546-133	10mN - 100mN
10mN	546-134	30mN - 300mN
0.02N	546-135	0.06N - 0.5N
0.05N	546-136	0.1N - 1N
0.05N	546-137	0.15N - 1.5N
0.1N	546-138	0.3N - 3N
0.2N	546-139	0.6N - 5N

Application

Measuring contact force of a relay



DIMENSIONS

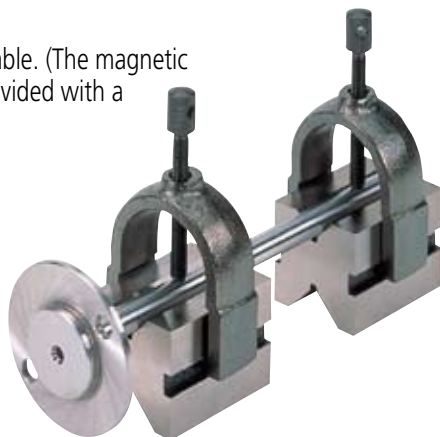


V-Block Set

SERIES 181

FEATURES

- Two V-blocks per set.
- Magnetic type is available. (The magnetic type V-block is not provided with a workpiece clamp.)



SPECIFICATIONS

Metric		
Max. workpiece dia.	Order No.	Remarks
25mm	181-902	With clamp

Inch		
Max. workpiece dia.	Order No.	Remarks
1"	181-901	With clamp

DIMENSIONS

