



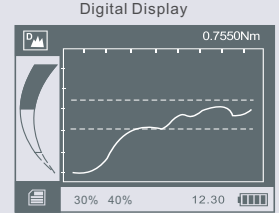
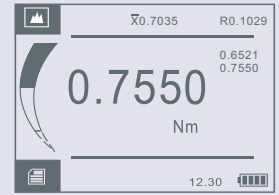
Features

- Wide range (0.5% ~100% capacity)& high accuracy($\pm 0.3\%$ readings)
- Reversible display
- Units: N·m, N·cm, kgf·cm, lbf·ft, lbf·in
- Display Mode: Digital/Diagram
- Measuring Mode: Track, Peak, First Peak, Preset
- Connect to PC easily
- Printing: Mini Printer(data printing /diagram printing)



Models

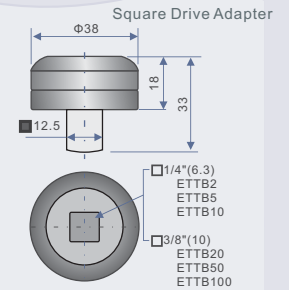
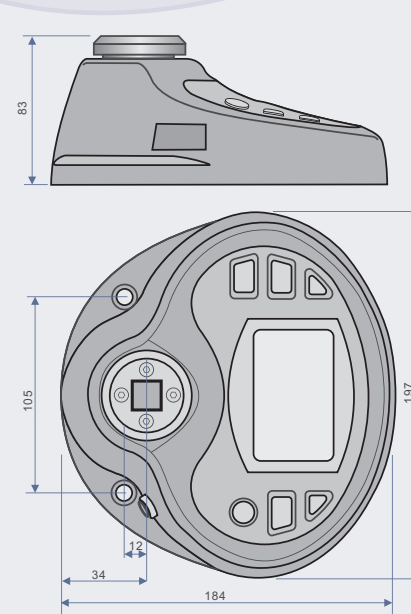
Model	Capacity/Resolution					Interface
	N.m	N.cm	kgf.cm	lbf.ft	lbf.in	
ETTB2	0.1~2/0.0002	10~200/0.02	1~20/0.002	0.07~1.48/0.0002	0.89~17.7/0.002	□12.5 (1/2")
ETTB5	0.25~5/0.005	25~500/0.05	2.5~50/0.005	0.18~3.7/0.0005	2.2~44.3/0.005	□ 6.3 (1/4") Square Drive Adapter
ETTB10	0.5~10/0.001	50~1000/0.1	5~100/0.01	0.37~7.4/0.001	4.4~88.5/0.01	
ETTB20	1~20/0.002	100~2000/0.2	10~200/0.02	0.7~14.8/0.002	8.9~177/0.02	□12.5 (1/2")
ETTB50	2.5~50/0.005	250~5000/0.5	25~500/0.05	1.8~36.8/0.005	22~443/0.05	□ 10 (3/8") Square Drive Adapter
ETTB100	5~100/0.01	500~10000/1	50~1000/0.1	3.7~74/0.01	44~885/0.1	



Specifications

Measuring Range	5%~100% capacity
Accuracy	$\pm 0.3\%$ reading
Units	N·m, N·cm, kgf·cm, lbf·ft, lbf·in
Display	240*160 matrix LCD with Backlight
Overload	120% F.S.
Display Mode	Digital/Diagram
Measuring Mode	Track, Peak, AutoPeak, FirstPeak, Preset
Sampling Rate	2000 Hz
Memory	1000 data
Output	USB, Set point output, RS232C
Power	3.6VDC Ni-MH rechargeable batteries Universal USB charger, Input:100~240VAC
Dimension	197X183X83 mm
Weight	~ 1.6 kg

Dimension



Optional

Rundown Adapter	Mini Printer	Rs232 Cable	Torque Test Stand	
			EST-TT1	EST-TT2
ATT-RDF	EPX58P	ECB-MD8-DB9		
EON429a0000	EON311f0000		EON420a0000	EON420b0000



Package

