

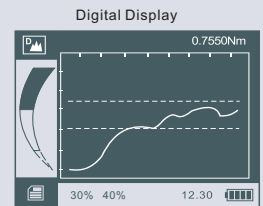


Features

- Wide range (0.5% ~100% capacity)
- High accuracy(±0.3% readings)
- Reversible display
- Units: N·m, N·cm, kgf·cm, lbf·ft, lbf·in
- Display Mode: Digital/Diagram
- Measuring Mode: Track, Peak, First Peak, Preset
- Connect to PC easily
- Printing: Mini Printer(data printing /diagram printing)

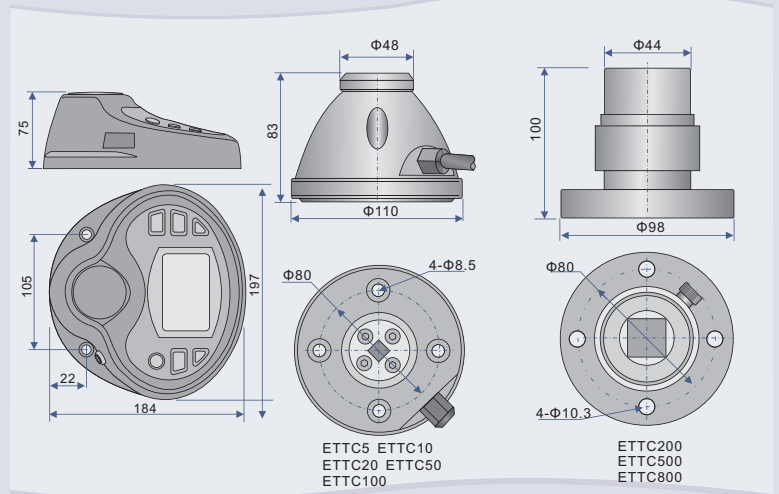
Models

Model	N.m	N.cm	kgf.cm	lbf.ft	lbf.in	Capacity/Resolution	
						Interface	
ETTC5	0.25~5/0.005	25~500/0.05	2.5~50/0.005	0.18~3.7/0.0005	2.2~44.3/0.005	□12.5 (1/2") □ 6.3 (1/4") Square Drive Adapter	
ETTC10	0.5~10/0.001	50~1000/0.1	5~100/0.01	0.37~7.4/0.001	4.4~88.5/0.01		
ETTC20	1~20/0.002	100~2000/0.2	10~200/0.02	0.7~14.8/0.002	8.9~1770/0.02	□12.5 (1/2") □ 10 (3/8") Square Drive Adapter	
ETTC50	2.5~50/0.005	250~5000/0.5	25~500/0.05	1.8~36.8/0.005	22~443/0.05		
ETTC100	5~100/0.01	500~10000/1	50~1000/0.1	3.7~74/0.01	44~885/0.1	□ 19 (3/4")	
ETTC200	10~200/0.002		100~2000/0.2	7.4~148/0.02	89~1770/0.2		
ETTC500	25~500/0.005		250~5000/0.5	18.4~368/0.05	220~4425/0.5		
ETTC800	40~800/0.1		400~8000/1	29.5~590/0.1	354~7080/1		



Specifications

Measuring Range	5%~100% capacity
Accuracy	± 0.3% reading
Units	N·m, N·cm, kgf·cm, lbf·ft, lbf·in
Display	240*160 matrix LCD with Backlight
Overload	120% F.S.
Display Mode	Digital/Diagram
Measuring Mode	Track, Peak, AutoPeak, FirstPeak, Preset
Sampling Rate	2000 Hz
Memory	1000 data
Output	USB, Set point output, RS232C
Power	3.6VDC Ni-MH rechargeable batteries Universal USB charger, Input:100~240VAC
Dimension	Display Unit:197X183X75 mm
Weight	Display Unit: 1.6 kg Sensors: 1.1 kg (100 N.m and below), 2 kg (500 N.m, 800 N.m)



Package



Optional

Rundown Adapter	Mini Printer	Rs232 Cable
ATT-RDF	EPX58P	ECB-MD8-DB9
EON429a0000	EON311f0000	
Torque Test Stand		
EST-TT1	EST-TT2	
EON420a0000	EON420b0000	