

DPSK DIAL GAUGE TORQUE DRIVERS

Suited for light torque, general tightening work, inspections. Easy to handle, easy to read scale.



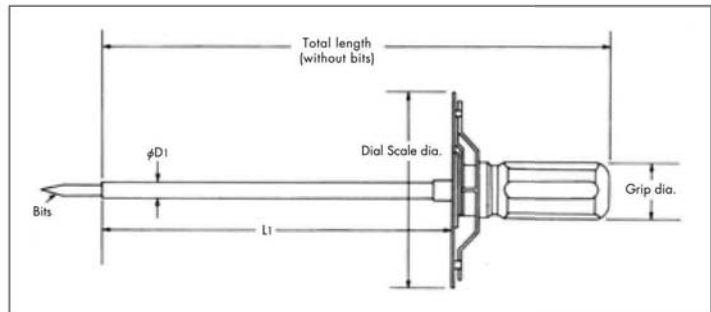
FEATURES

DPSK (standard)

- A light torque driver well suited for general tightening, inspections and break tests.
- Easy handling with a direct reading dial gauge.
- Use for both clockwise and counterclockwise tightening.
- Peak torque indicator works in both directions, too.
- Large, easily read dial gauge.

DPSK II (transparent scale)

- The transparent scale makes engaging the fastener easier.
- For both models, accuracy is $\pm 3\%$ of the indicated value over the full range



USING A DPSK DRIVER

- (1) Mount a bit matching the fastener being
- (2) Loosen the peak indicator ring.
- (3) Set the peak indicator to 0.
- (4) Tighten the fastener while observing the scale.



Model (kgf-cm)	Range (CW/CCW)	Increment	Old Model (cN·m/N·m)	New Model (cN·m/N·m)	Range (CW/CCW)	Increment	Dial dia.	Grip dia.	Total length (without bit)	Dimensions (mm)		Weight	Included Accessory	
										Driver shaft(mm)	φD		kg	Phillips
1DPSK	0.2~1	0.025	N 1DPSK	CN 10DPSK	2~10 cN·m	0.25 cN·m	78	22	217	152	6	0.075	No.0 No.1	KANON bits OB type
2DPSK	0.5~2	0.05	N 2DPSK	CN 20DPSK	5~20 "	0.5 "				195				
5DPSK	1~5	0.2	N 5DPSK	CN 50DPSK	10~50 "	2 "				208				
10DPSK	2~10	0.2	N 10DPSK	CN 100DPSK	20~100 "	2 "				222				
20DPSK	5~20	0.5	N 20DPSK	CN 200DPSK	0.5~2 N·m	0.05 N·m				242				
50DPSK	10~50	2	N 50DPSK	CN 500DPSK	1~5 "	0.2 "				300				
10DPSK(II)	2~10	0.2	N 10DPSK(II)	CN 100DPSK-L	20~100 cN·m	2 cN·m	78	33	222	130	12	0.33	No.1 No.2	Standard bits SB type
20DPSK(II)	5~20	0.5	N 20DPSK(II)	CN 200DPSK-L	0.5~2 N·m	0.05 N·m				242				
50DPSK(II)	10~50	2	N 50DPSK(II)	CN 500DPSK-L	1~5 "	0.2 "				300				
										188				

* is the new model that is applied from 1st January, 2016.