

LTDK CLUTCH RELEASE TORQUE SCREW DRIVERS

Clutch release prevents over-tightening, reduces fatigue.

FEATURES

- Comfortable grip for extended use.
- Light weight and short overall length facilitates jobs.
Sensitive clutch release helps the operator feel when the torque setting is reached.
- Set the required torque value and tighten, all operators tighten consistently.
- Two Phillips bit are included.
- Various hex and box drive bits are available.
- Use for clockwise tightening.
- Accuracy : $\pm 3\%$ of indicated value over the full range, clockwise.
- "H"-models accept standard bits instead of CB type bits.

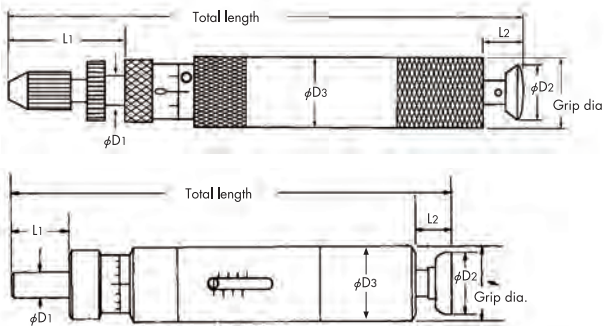
USING AN LTDK DRIVER

- (1) Select and mount a bit to match the fastener.
- (2) Rotate the adjusting ring and set the desired torque.
- (3) Tighten the fastener clockwise until the clutch releases and there is no more resistance.

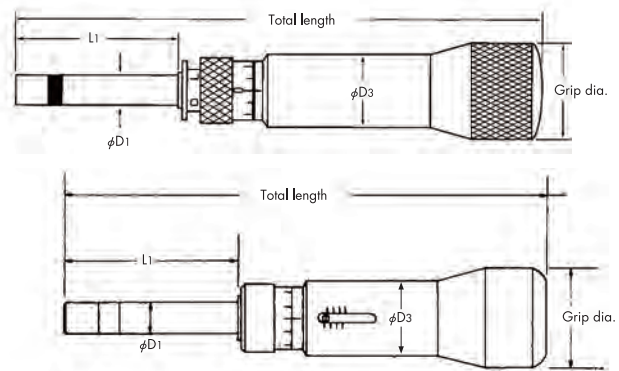


CN60~CN500LTDK

CN15,CN30LTDK(N·m Unit)



CN60~CN500,50LTDK(N·m Unit) OI 200LTDK(Ozf.in) PI 30,PI 50LTDK(Lbf.in)



1.5,3LTDK(kgfc·m Unit) 1.5,3LTDK-H(kgfc·m Unit) N1.5,3LTDK-H(Nm Unit)

6~100LTDK(kgfc·m Unit) N100LTDK(N·m Unit)

Old Model (cN·m/N·m)	New Model (cN·m/N·m)	Range	Increment	Model (ozf·in/lbf·in)	Range	Increment	Grip dia.	Total length (without bit)	Dimensions (mm)					Weight	Included Accessory		
									cN·m/N·m		ozf·in/lbf·in		Body				
							φmm	mm	L1	L2	φD1	φD2	φD3	g	Phillips	Bit type	
N1.5LTDK	CN15LTDK	1 ~ 15 cN·m	0.1 cN·m				16	107	22	10.5	5.5	14.4	15.5	57	No.0 No.1	KANON bits CB type	
N3LTDK	CN30LTDK	2 ~ 30 "	0.2 "				25	110	26				20	99			
N6LTDK	CN60LTDK	5 ~ 60 "	0.5 "				30						25	192	No.0 No.1	Standard bits SB type	Included
N12LTDK	CN120LTDK	20 ~ 120 "	1 "	OI 200LTDK	40 ~ 200 ozf·in	1	34	157	51		10		34	214	No.1 No.2		
N20LTDK	CN200LTDK	40 ~ 200 "	1 "	PI 30LTDK	4 ~ 30 lbf·in	0.1	40	200	63				35	762	No.2, No.3		
N30LTDK	CN300LTDK	40 ~ 300 "	1 "	PI 50LTDK	10 ~ 50 "	0.25	45	235	100		11		35	762	No.2, No.3		
N50LTDK	CN500LTDK	100 ~ 500 "	2.5 "				45	235	100		11		35	762	No.2, No.3		
N100LTDK	N10LTDK	4 ~ 10 N·m	0.05 N·m				45	235	100		11		35	762	No.2, No.3		
N1.5LTDK-H	CN15LTDK-H	1 ~ 15 cN·m	0.1 cN·m				16	111	26	10.5	10	14.4	15.5	60	No.0 No.1		
N3LTDK-H	CN30LTDK-H	2 ~ 30 "	0.2 "														

* is the new model that is applied from 1st January, 2016.

Model (kgf·cm)	Range	Increment	Grip dia.	Total length (without bit)	Dimensions (mm)					Weight	Included Accessory				
					Body						Bits		Extension Bar		
					L1	L2	φD1	φD2	φD3		g	Phillips		Bit type	
1.5LTDK	0.1~1.5	kgf·cm	0.01	kgf·cm	16	99	14	10.5	5.5	14.4	15.5	50	No.0	KANON bits OB type	
3LTDK	0.2~3	//	0.02	//											
6LTDK	0.5~6	//	0.05	//	25	110	35				20	95	No.0	Standard bits SB type	
12LTDK	2~12	//	0.1	//											
20LTDK	4~20	//	0.1	//	34	157	57				25	190	No.1		
30LTDK	4~30	//	0.1	//											
50LTDK	10~50	//	0.25	//	40	200	73				34	208	No.2		
100LTDK	40~100	//	0.5	//											
1.5LTDK-H	0.1~1.5	//	0.01	//	16	111	26	10.5	10	14.4	15.5	60	No.2, No.3		Included
3LTDK-H	0.2~3	//	0.02	//											

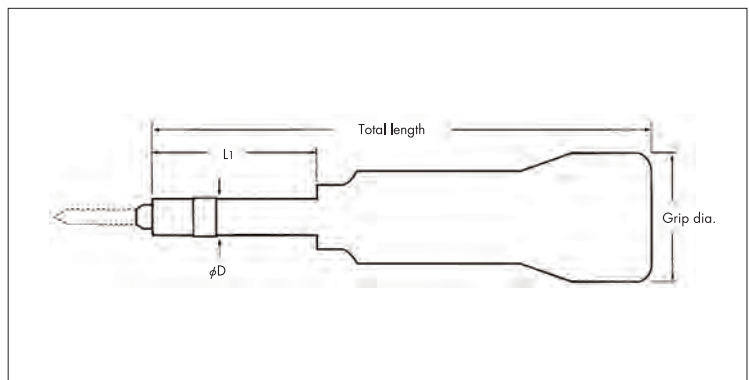
STDK PRE-SET TORQUE DRIVERS

Clutch release prevents over tightening.



FEATURES

- A single function driver, used for a single torque setting.
 - Most suited for tightening multiple same-size fasteners at the same torque in a production line.
 - Setting confirmation unnecessary.
 - Light weight and short overall length facilitates jobs.
Sensitive clutch release helps the operator feel when the torque setting is reached.
 - All operators tighten consistently.
 - Two Phillips bit are included.
 - Various hex and box drive bits are available.
 - Accuracy : ±3% of set value, clockwise.
- * Please specify required set torque when you order.



Model (kgf·cm)	Range	Old Model (cN·m/N·m)	New Model (cN·m/N·m)	Range	Model (ozf·in/lbf·in)	Range	Grip dia.	Total length (without bit)	Dimensions (mm)		Weight	Included Accessory		
									Body			Bits		Extension Bar
									cN·m/N·m	ozf·in/lbf·in		φ mm	mm	
1.5STDK	0.1~1.5	N1.5STDK	CN15STDK	1~15	Ol 22STDK	2~22	16	92	22	8	45	No.0	KANON bits CB type	
3STDK	0.2~3	N3STDK	CN30STDK	2~30	Ol 44STDK	4~44								
6STDK	0.5~6	N6STDK	CN60STDK	5~60	Ol 80STDK	20~80	25	103	41	10	94	No.0	Standard bits SB type	
12STDK	2~12	N12STDK	CN120STDK	20~120	Ol 200STDK	40~200								
20STDK	4~20	N20STDK	CN200STDK	40~200	Pl 20STDK	4~20	30	116	54	10	170	No.1		
30STDK	4~30	N30STDK	CN300STDK	40~300	Pl 30STDK	4~30								
50STDK	10~50	N50STDK	CN500STDK	100~500	Pl 50STDK	10~50	35	126	56	10	200	No.2		
100STDK	40~100	N100STDK	CN100STDK	4~10	Pl 100STDK	40~100								
							45	248	246	11	790	No.2, No.3		Included

* is the new model that is applied from 1st January, 2016.