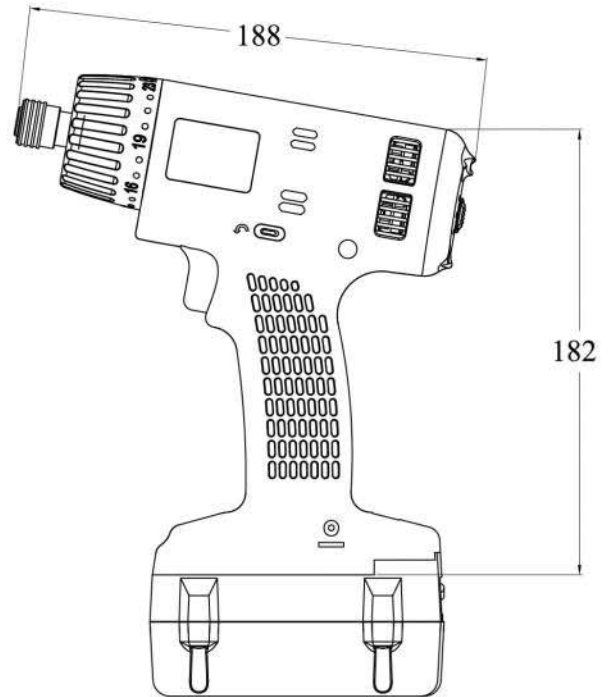




Product Features

- The high power brushless motor was researched, developed and produced by Kilews, with 1 year warranty.
- The best choice of industrial tool which can set the maximum torque up to 12 N.m, and the repeatable torque accuracy within $\pm 10\%$.
- Adopting Japanese high performance Li-ion (Li-Mn) battery which has longest standby time and lifetime.
- The cordless battery screwdriver has beep alarm warning when the battery power capacity is low. The red LED will flicker when 20% left of battery power capacity and light up continuously when 10% left of battery power capacity. User can be reminded to replace the battery by the LED warning light.
- The cordless battery screwdriver has built-in indicating light to indicate the fasten procedure. The green LED will light up and give a short beep warning for every fastening screw. Conversely, the red LED will light up and give a long beep warning if the screw is fastened incorrectly or NG.
- LED illumination, LED will light up while screwdriver is operating to help user to see the fastening object status and to make sure the screws are aimed to exact positions.
- Users can select HI/LO speed via the electric switch to meet the operation requirement.
- In order to hold the cordless battery screwdriver comfortably, the shape is designed to be 10 degrees elevation and balanced as good ergonomic.
- In order to extend battery operating time, the cordless battery screwdriver will turn to sleep mode automatically when it idled over 3 seconds. Sleep mode helps to save electricity and extend battery life time.

External Dimension



MYBT-SC0612

Specifications

Model	MYBT-SC0612	MYBT-SC0408	MYBT-SC1505
Input Voltage	18V		
Torque (N.m)	6~12	4~8	1.5~5
Repeatable Torque Accuracy	$\pm 10\%$		
Torque Adjustment	23+MAX Steps		
Free Speed (r.p.m) $\pm 10\%$	HI	700	1200
	MID	500	900
	LO	350	600
Weight (kg)	1.0 (Without Battery)		
Size (mm)	188 * 182 (L * H Without Battery)		
Applicable Battery	SKC-LB1820 / SKC-LB1840		
Applicable Charge Station	MYCS-ID120/MYCS-ID80/MYCS-80		
Applicable Bit Type	 B HEX 6.35mm(No.3) W 3/8"sq		