

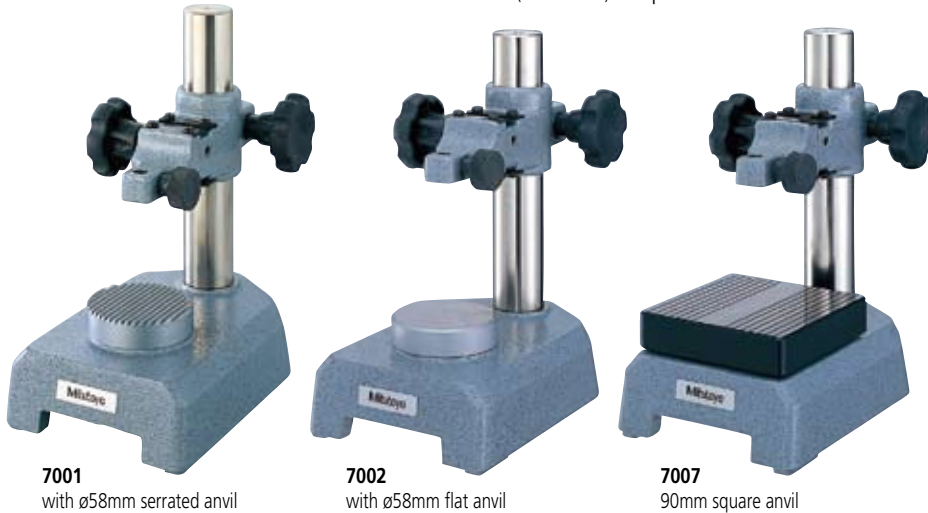
Dial Gage Stands

SERIES 7

Dial Gage Stands are designed for comparison measurements of size using a dial indicator or Digimatic Indicator.

FEATURES

- Vertical travel of the gage holder — Dial Gage Stand: 100mm, Transfer Stand: 335mm
- Fine-adjustment of 1mm is provided for zero-setting the indicator.
- With interchangeable anvil. Domed anvil (**101463**) is optional.



7001
with ø58mm serrated anvil

7002
with ø58mm flat anvil

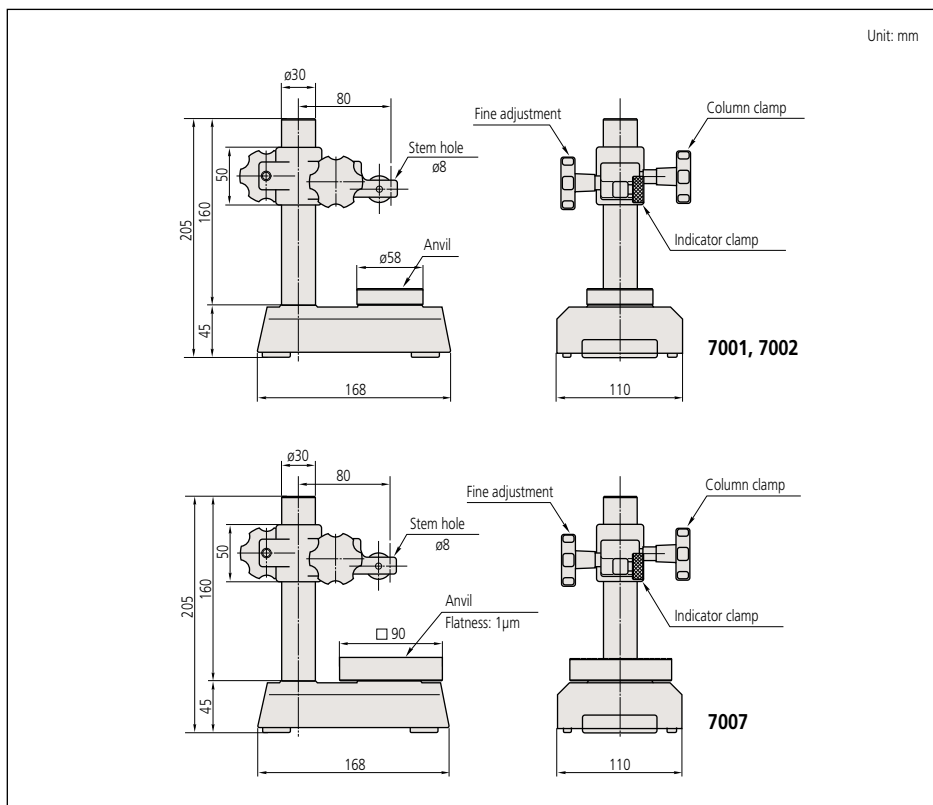
7007
90mm square anvil

SPECIFICATIONS

Metric		
Order No.	Stem hole	Remarks
7001	ø8mm	With serrated anvil
7002	ø8mm	With flat anvil
7007	ø8mm	With square anvil

Inch		
Order No.	Stem hole	Remarks
7003	3/8" DIA	With serrated anvil
7004	3/8" DIA	With flat anvil
7008	3/8" DIA	With square anvil

DIMENSIONS



Optional Accessories

101462: Hardened steel serrated anvil (flatness: 1 µm)*

101463: Hardened steel domed anvil*

101461: Hardened steel flat anvil (flatness: 1 µm)*

*Not available for **7007** and **7008**

